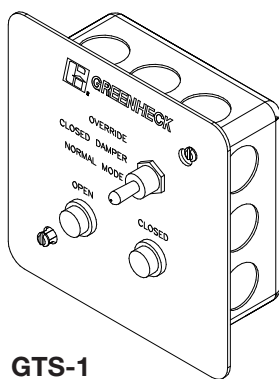


Refer to:

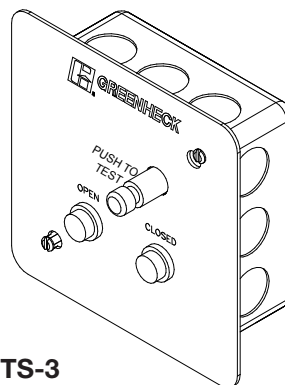
'Installation Instructions for FSD-XXX, DFD-XXX, and SSFSD-XXX Series Fire & Combination Fire Smoke Dampers' (Part #481318)

or

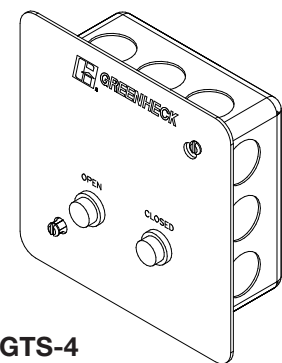
'Installation Instructions for SMD-XXX, SESMD-XXX, SSSMD-XXX and SMDR-XXX and SSSMDR-XXX Series Smoke Dampers' (Part #461338) for additional details.



**GTS-1**



**GTS-3**



**GTS-4**

Greenheck Test Switches (GTS-1, GTS-3, and GTS-4) are used in dynamic smoke management systems containing Combination Fire Smoke, Smoke, or Fire Dampers.

### **GTS-1**

The GTS-1 can be used with combination fire smoke dampers equipped with Greenheck's TOR option. The GTS-1 has a red indicator light to show that the damper is in the closed position and green indicator light to show that the damper is in the open position. The GTS-1 has a three position control switch with the following options:

- **Normal** position - power is routed to the actuator through the primary, low-temperature, thermostat
- **Closed** position - power is cut to the actuator closing the damper
- **Override** position - power is routed to the actuator through the secondary, high - temperature, thermostat. This position is used to reopen the damper for smoke control purposes after the damper's primary thermostat has tripped and closed the damper. The damper will close when the secondary thermostat's temperature is reached, when a smoke detector senses smoke or when power is cut by a smoke or building management system.

### **GTS-3**

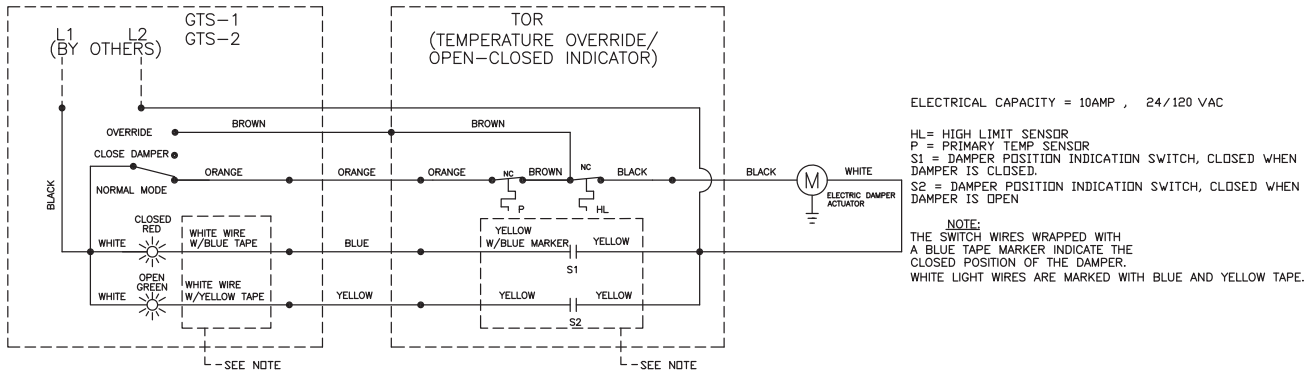
The GTS-3 can be used with combination fire smoke dampers equipped with Greenheck's RRL/OCI option or with smoke dampers equipped with Greenheck's OCI option. The GTS-3 has the same red indicator light to show that the damper is in the closed position and green indicator light to show that the damper is in the open position as the GTS-1. It also has a push-button momentary switch that can be pushed and held in place to cut power to the actuator and close the damper. When the button is released power flows back to the actuator and opens the damper.

### **GTS-4**

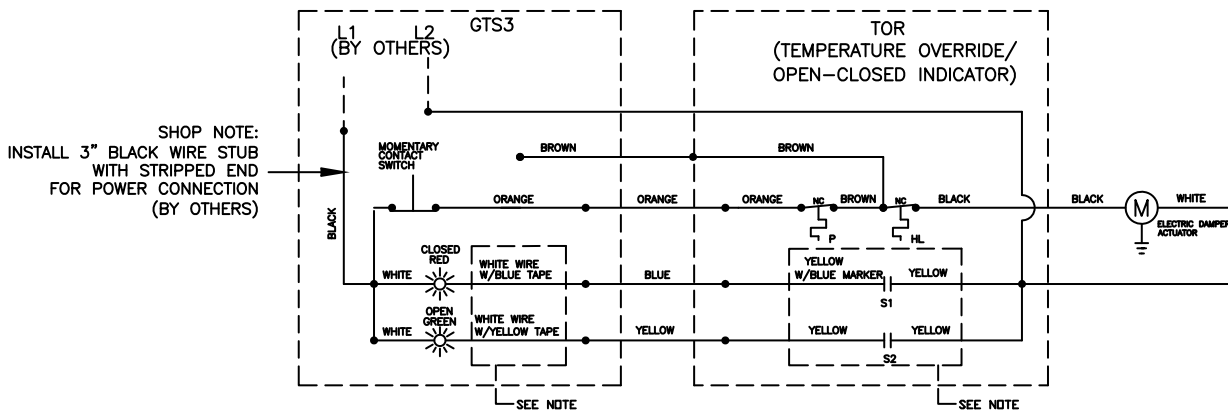
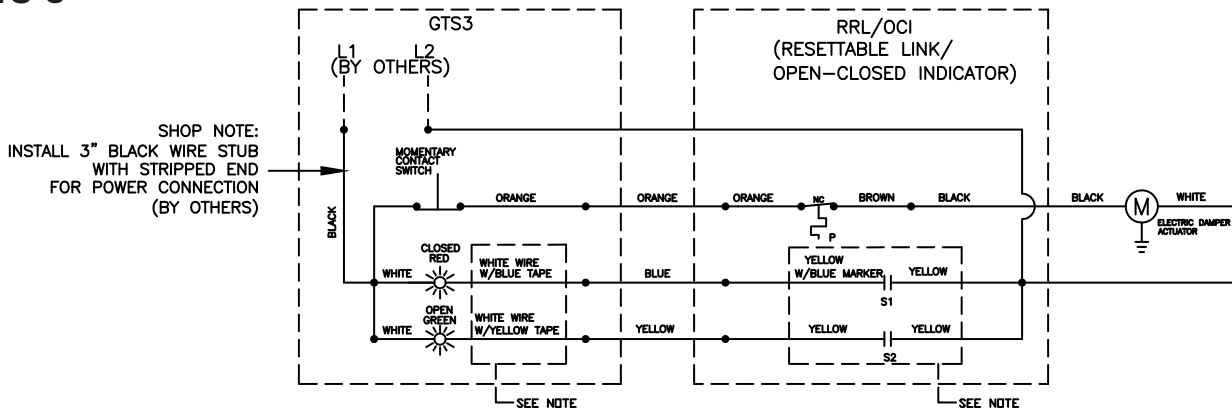
The GTS-4 can be used with combination fire smoke dampers equipped with Greenheck's RRL/OCI option or with smoke dampers or multi-blade fire dampers built with Greenheck's OCI option. The GTS-4 has the same red indicator light to show the damper is in the closed position and green indicator light to show that the damper is in the open position as the GTS-1.

# Wiring Diagrams

## GTS-1

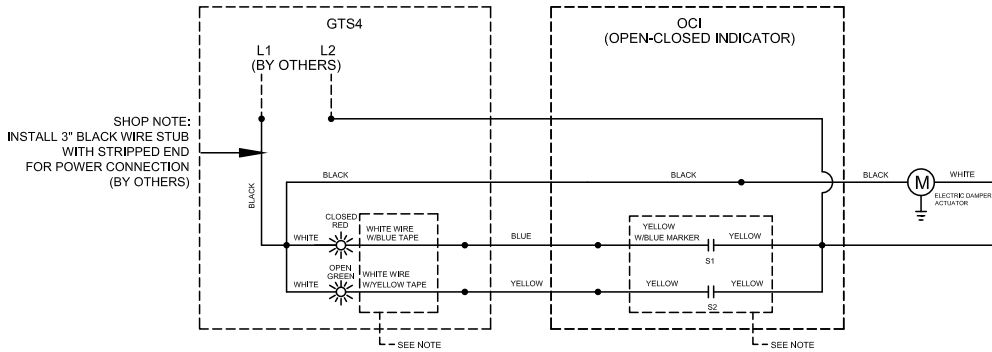
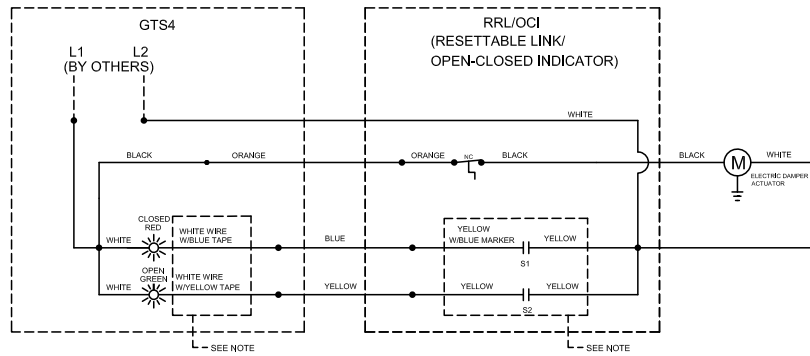


## GTS-3



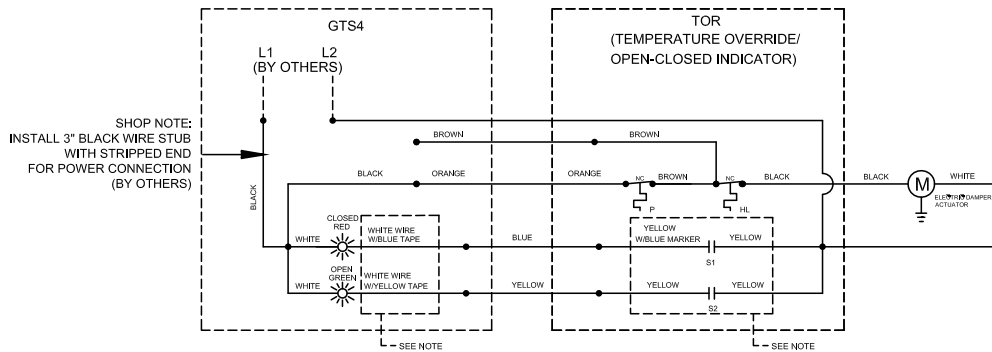
# Wiring Diagrams

## GTS-4



SHOP NOTE:  
INSTALL 3" BLACK WIRE STUB  
WITH STRIPPED END  
FOR POWER CONNECTION  
(BY OTHERS)

NOTE:  
THE SWITCH WIRES WRAPPED WITH  
A BLUE TAPE MARKER INDICATE THE  
CLOSED POSITION OF THE DAMPER.  
WHITE LIGHT WIRES ARE MARKED WITH BLUE AND YELLOW TAPE.



SHOP NOTE:  
INSTALL 3" BLACK WIRE STUB  
WITH STRIPPED END  
FOR POWER CONNECTION  
(BY OTHERS)

HI= HIGH LIMIT SENSOR  
P= PRIMARY TEMP SENSOR  
S1= DAMPER POSITION INDICATION SWITCH, CLOSED WHEN  
DAMPER IS CLOSED.  
S2= DAMPER POSITION INDICATION SWITCH, CLOSED WHEN  
DAMPER IS OPEN

NOTE:  
THE SWITCH WIRES WRAPPED WITH  
A BLUE TAPE MARKER INDICATE THE  
CLOSED POSITION OF THE DAMPER.  
WHITE LIGHT WIRES ARE MARKED WITH BLUE AND YELLOW TAPE.

## Our Commitment

As a result of our commitment to continuous improvement, Greenheck reserves the right to change specifications without notice.

Product warranties can be found online at [Greenheck.com](http://Greenheck.com), either on the specific product page or in the literature section of the website at [Greenheck.com/Resources/Library/Literature](http://Greenheck.com/Resources/Library/Literature).

